



# Pauon tahviah

sale air conditioning equipment & designing  
& Execution of mechanical installations



**FAN COIL**



# **Pauon tahviah paya**

sale air conditioning equipment & designing  
& Execution of mechanical installations

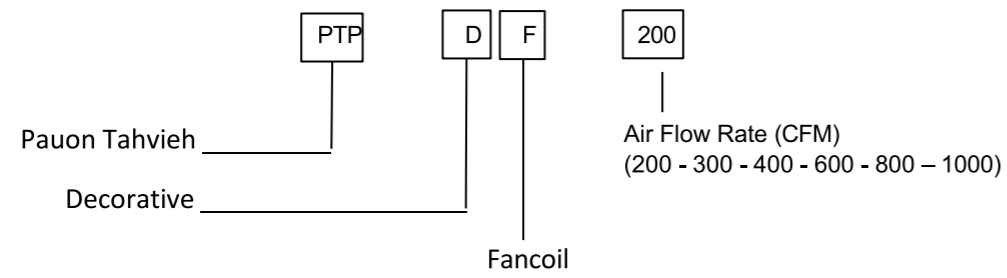




### Fan Coil Unit

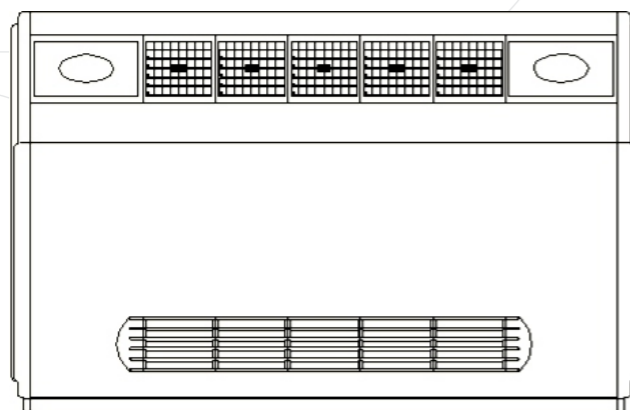
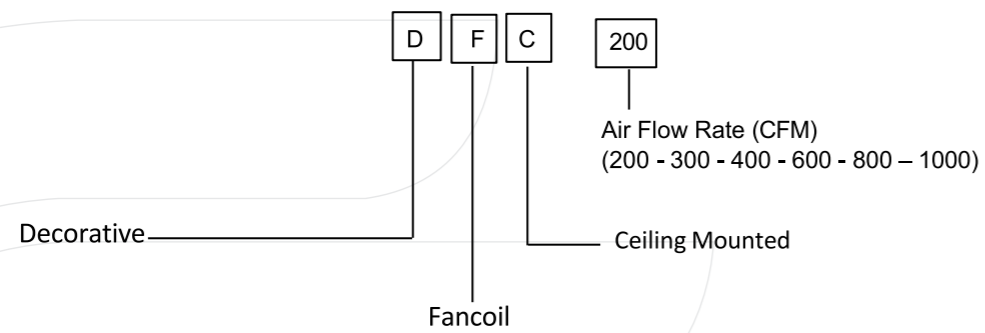
-Decorative Floor Mounted (PTP DF)

#### Nomenclature



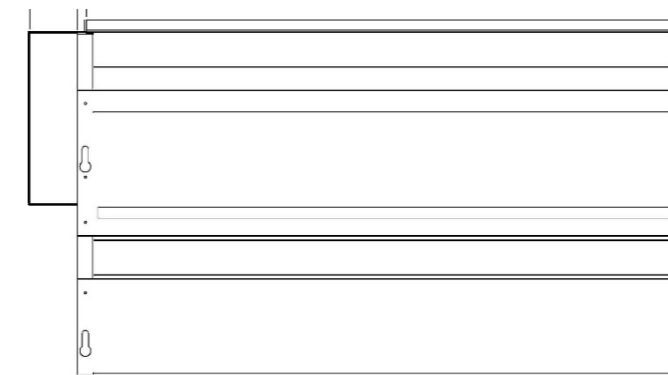
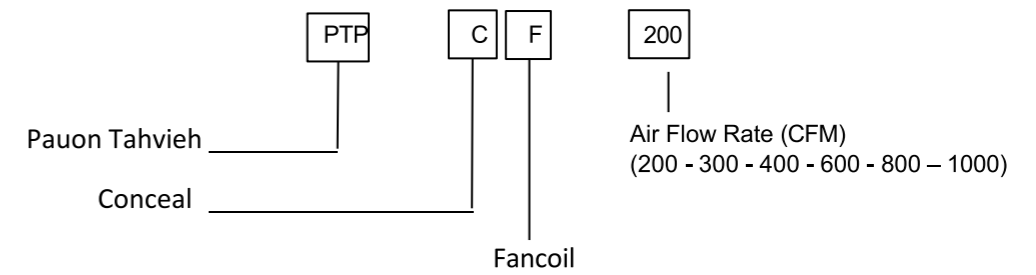
-Decorative Ceiling Mounted Fan Coil (PTP DFC)

#### Nomenclature



-Concealed Ceiling Fan Coil (without cabin)

#### Nomenclature



Pauon Tahviah Co. is one of the leading companies in the field of design and manufacture of HVAC systems in Iran .

Decorative Fan Coil Units with unique design and structure is one of the well-known products of this company.





## General Specifications

Pauon Tahviah fan coil units are designed and manufactured in different capacities (200 to 1000 cfm) and three types:

1. Ceiling concealed fan coil units (without cabin)
2. Floor mounted decorative slope fan coil units (with cabin)
3. Ceiling mounted decorative slope fan coil units (with cabin)

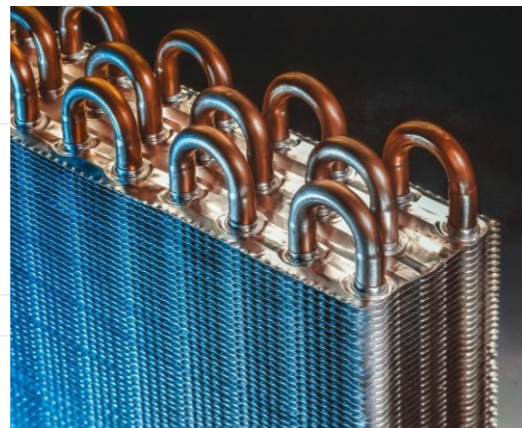
## Appearance And Body Specifications

1. Outlet air is adjustable in four directions.
2. Main structure of the units is made of Aluminum profiles.
3. Sides and air outlets are made of ABS.
4. Front panel of the unit is made of mild steel sheets and coated with electrostatic powder paint.
5. All internal sheets and condensate try are hot dip galvanized coated with EPDM insulator.

### • Coil

Three rows coils (8 tubes in each row) with copper tubes (OD  $\frac{3}{8}$  ") and aluminum fins with spacing of 12 FPI are standard default of all Pauon Tahviah fan coil units.

All the coils are degreased,washed and tested up to 135 PSI .



### • Electro motor

Electromotors are single-phase, seven speeds , with overloading protection feature. Of course , in standard mode , three speeds are used .

### • Fan

Centrifugal forward fans are made of ABS or galvanized steel sheet that are balanced statically and dynamically. These fans run with the lowest noise level.

### • Filter

A washable aluminum filter is installed at air inlet section .

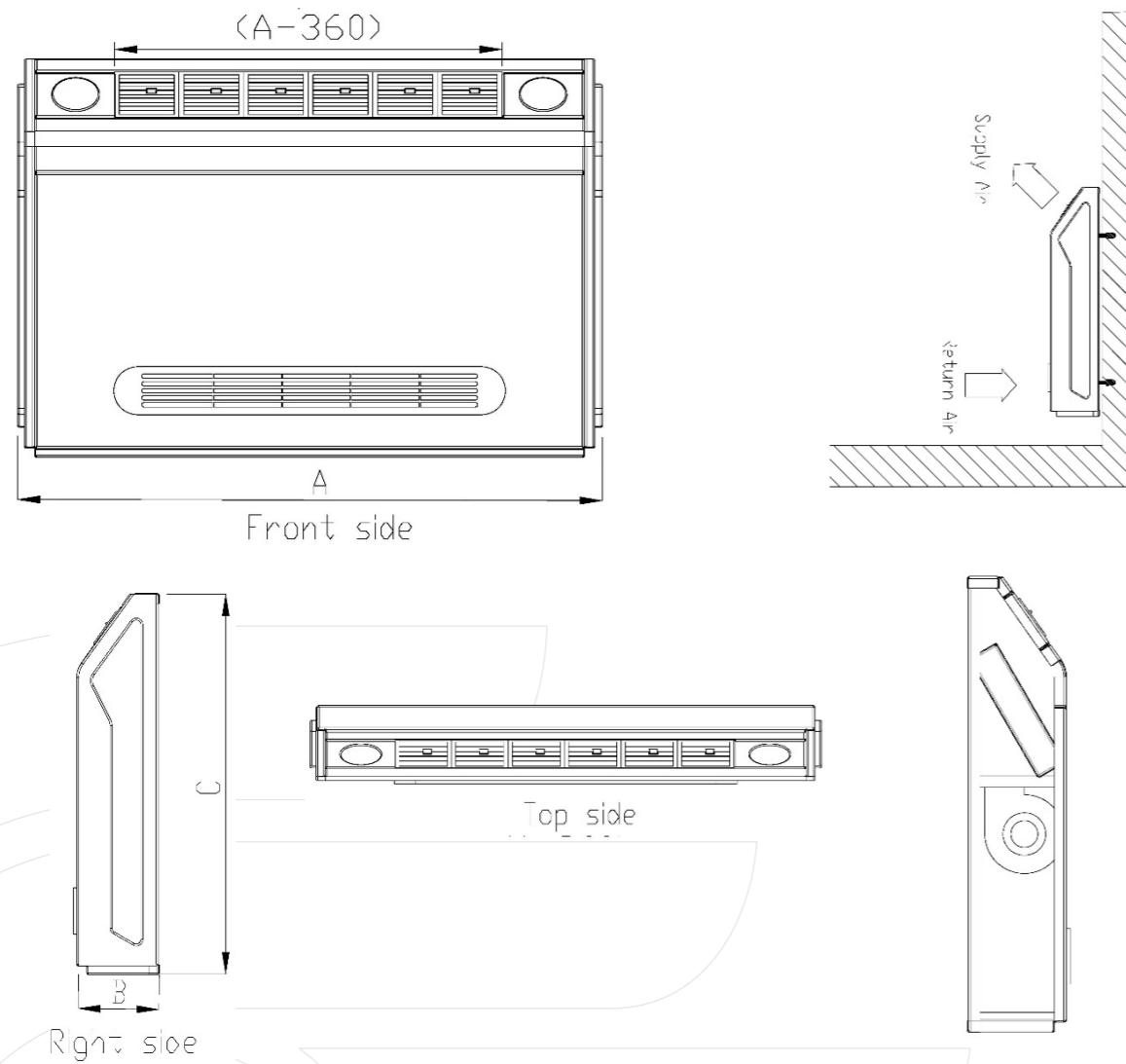
### • Electronic Protective Board

Electronic protective boards is installed in the electrical input port of the ceiling fan coils.

### • Certificates

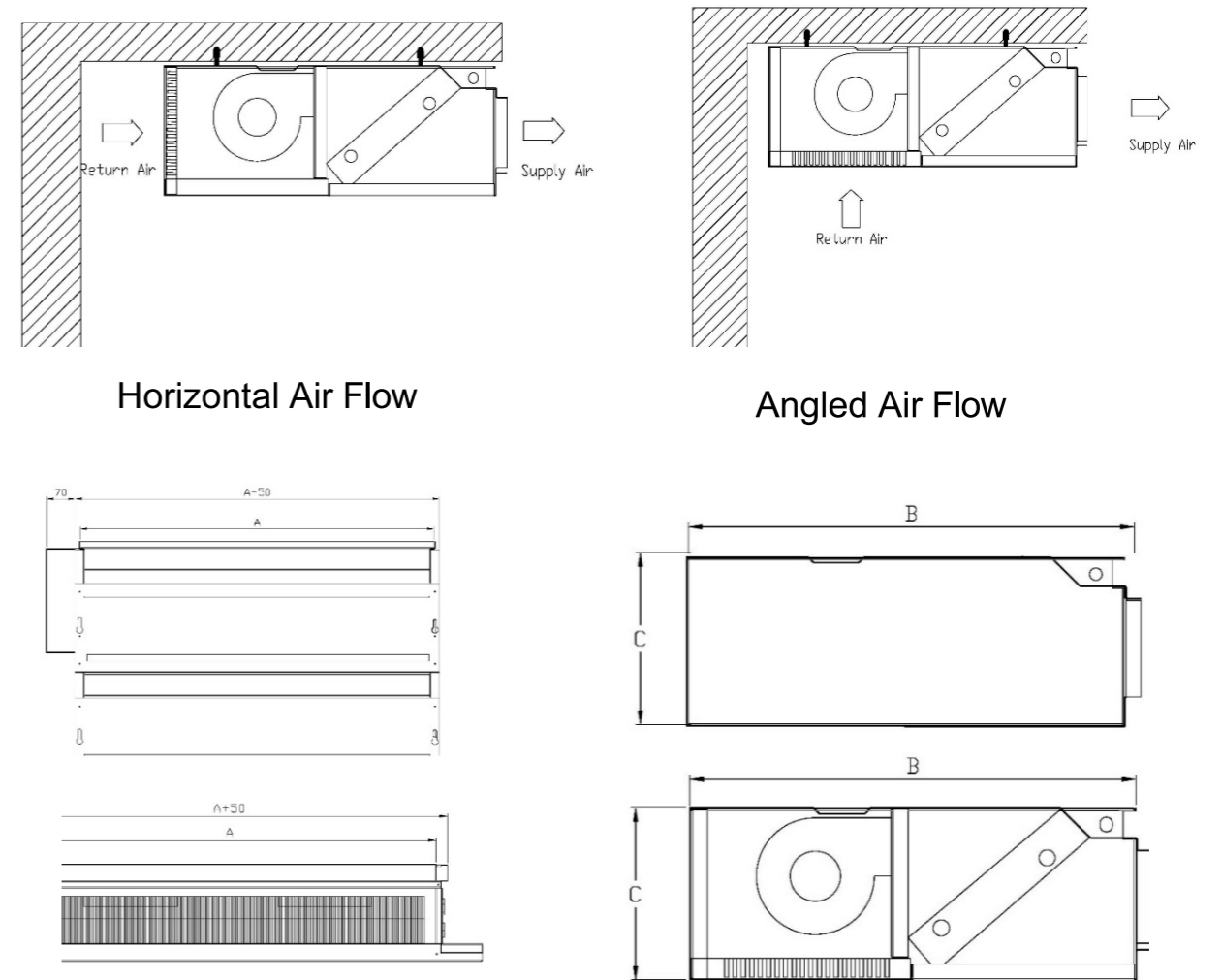
Pauon Tahviah Co, is the achiever of Iran's national standard license in Fan coil product for the first time .

### Decorative Fan Coil



Dimensions (mm)	Model					
	PTP DF-200	PTP DF-300	PTP DF-400	PTP DF-600	PTP DF-800	PTP DF-1000
A(mm)	855	980	1105	1230	1605	1980
B(mm)	210	210	210	210	210	210
C(mm)	600	600	600	600	600	600

### Ceiling Mounted Concealed Fan Coil



Dimensions (mm)	Model					
	PTP CF-200	PTP CF-300	PTP CF-400	PTP CF-600	PTP CF-800	PTP CF-1000
A(mm)	545	675	800	910	1285	1655
B(mm)	550	550	550	550	550	550
C(mm)	210	210	210	210	210	210



**Table 3**  
**Fan Coil Unit**  
**Technical Data**

Model		PTP DF-200	PTP DF-300	PTP DF-400	PTP DF-600	PTP DF-800	PTP DF-1000
Nominal Air Flow Rate (CFM)		200	300	400	600	800	1000
Total Cooling Capacity (Btu/hr)		8700	12000	15400	20400	24400	31000
Sensible Cooling Capacity (Btu/hr)		6000	9000	12000	15000	18000	23000
Heating Capacity (Btu/hr)		23000	32500	40000	49500	64500	77000
Coil Data	Tube Size	3/8"					
	No. Of Rows	3					
	Fins Per Inch	12					
Water Flow Rate (gpm)	Cooling	1.5	2.5	3	4	4.8	6.2
	Heating	2.3	3.2	4	5	6.5	7.7
Water Pressure Drop (ft)	Cooling	2.2	6.5	9	5.2	7.6	7
	Heating	7.3	15	18	9	16.2	12.8
No. Of Fan		1	1	2	2	3	4
No. Of Motor		1	1	1	1	2	2
Electrical Data	Power Input (W)	37	37	37	37	74	74
	Max. Current (A)	0.42	0.42	0.42	0.42	0.84	0.84
	Power Supply (V/Ph/Hz)	220/1/50					
Connections (inch)	Inlet	3/4"					
	Outlet	3/4"					
	Drain	3/4"					
Noise Level (dB)		38	38	38	40	42	42
Weight (kg)		21	23	27	30	44	53

**Notes:**

1. Rated cooling conditions: air inlet at 80°F DB/67°F WB , chilled water inlet/outlet at 45° F/55°F.
2. Rated heating conditions: air inlet at 60° DB, hot water inlet/outlet at 180°F /160°F .
3. Coil test pressure: 135PSI
4. In Concealed Ceiling models weights are 15-30% lower.
5. Rated cooling capacity, heating capacity and air flow rates have been measured in high-speed fan condition. For medium and low speed, multiply these values by 0.9 and 0.8 respectively.



# Pauon Tahviah

[www.pauontp.com](http://www.pauontp.com)





**Pauon tahviah paya**  
sale air conditioning equipment & designing  
& Execution of mechanical installations

